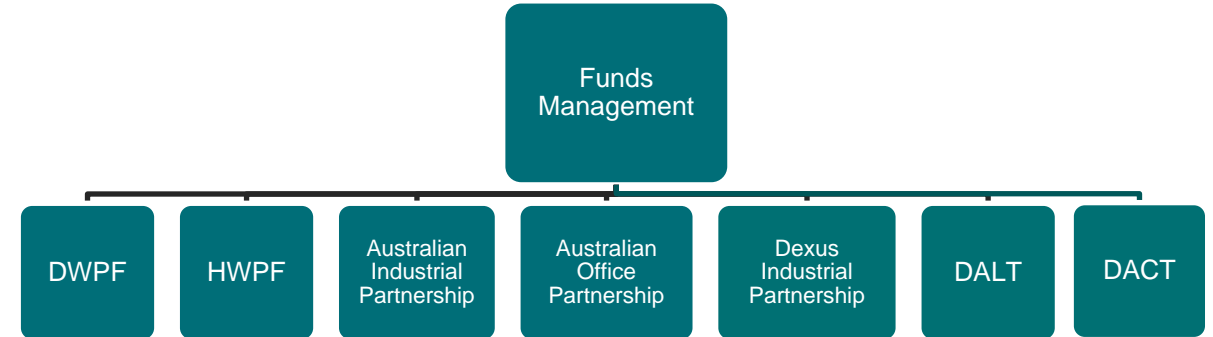
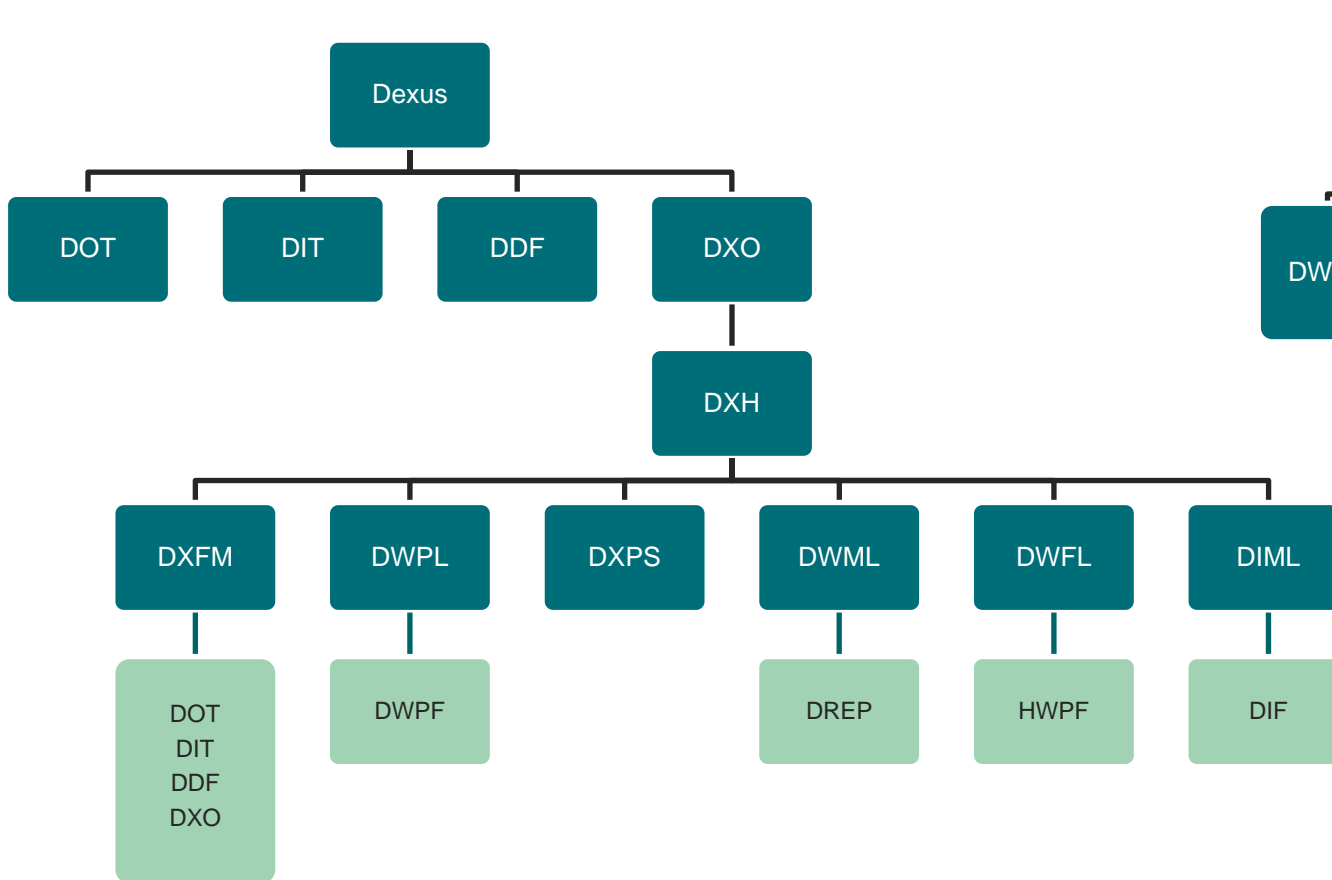


Dexus Corporate Structure



- DXH means Dexus Holdings Pty Limited
- DXFM means Dexus Funds Management Limited
- DWPL means Dexus Wholesale Property Limited
- DXPS means Dexus Property Services Pty Limited
- DWML means Dexus Wholesale Management Limited
- DWFL means Dexus Wholesale Funds Limited
- DIML means Dexus Investment Management Limited

- DOT means Dexus Office Trust
- DIT means Dexus Industrial Trust
- DDF means Dexus Diversified Trust
- DXO means Dexus Operations Trust
- DWPF means Dexus Wholesale Property Fund
- DREP means Dexus Real Estate Partnership
- HWPF means Healthcare Wholesale Property Fund
- DIF means Dexus Industrial Fund
- DALT means Dexus Australian Logistics Trust
- DACT means Dexus Australian Commercial Trust